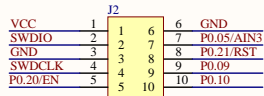
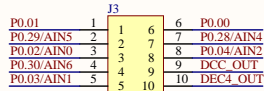


GPIOs and external DC power

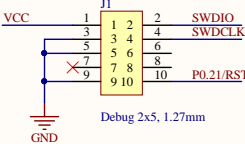


双排针10pin



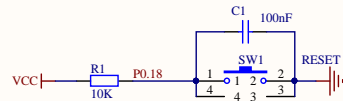
双排针10pin

SWD (for J-link lite)

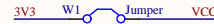


Debug 2x5, 1.27mm

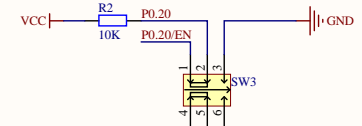
Reset button



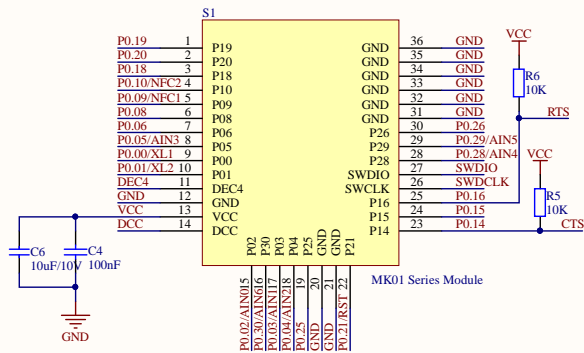
Power consumption monitor



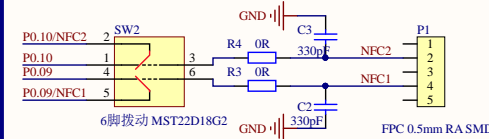
SW3 OFF:GPIO SW3 ON:EN(Low active)



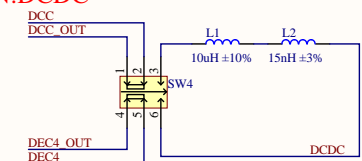
MK01 Series Module



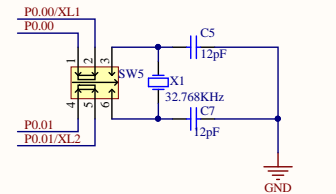
NFC circuit



SW4 OFF:LDO SW4 ON:DCDC

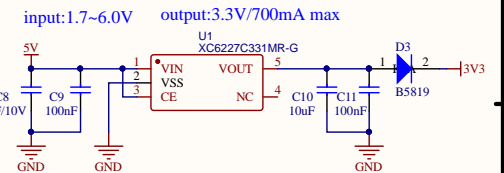


SW5 OFF:GPIO SW5 ON:32.768kHz

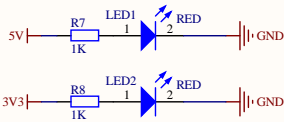


Power Supply

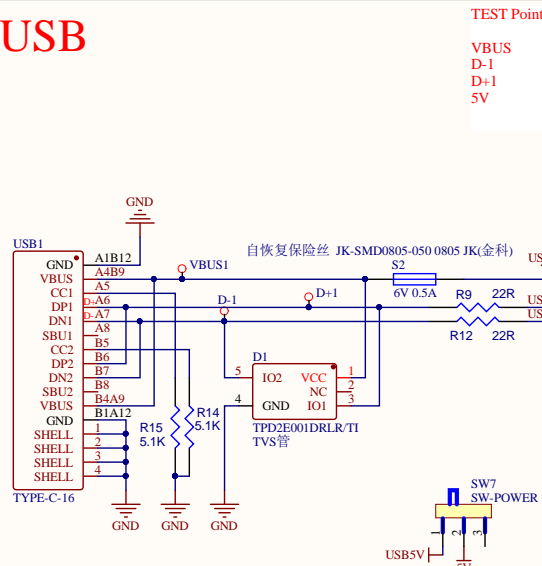
LDO



LED



USB



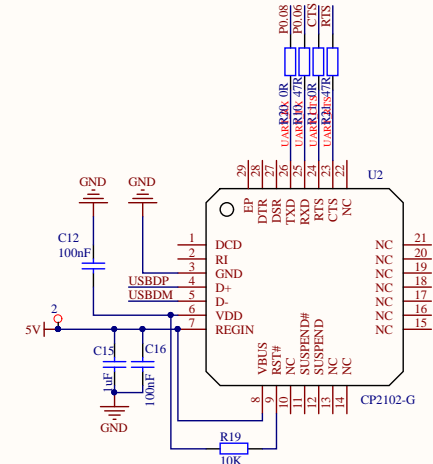
TEST Point

VBUS
D-1
D+1
5V

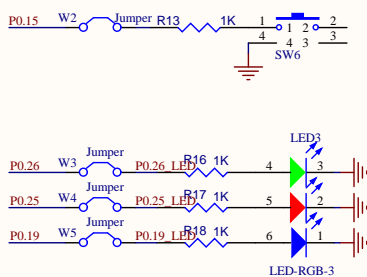
USB to TTL

GPIO
P0.16
P0.06
P0.14
P0.08

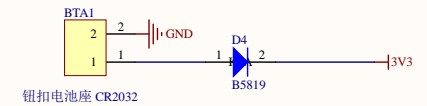
UART
RTS
TX
CTS
RX



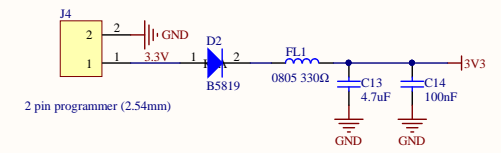
I/O Expand



Battery supply(with Anti-reaction function)



External 3.3V supply(with Anti-reaction function)



MOKO		Drawing by	Nancy
Product Name		MK01-KIT	
Schematic Name		MK01-KIT_V1.0.0	
Revision	Ver1.0	Page	1/1
Date		20200614	
Auditing by		Authorize by	