

A

B

C

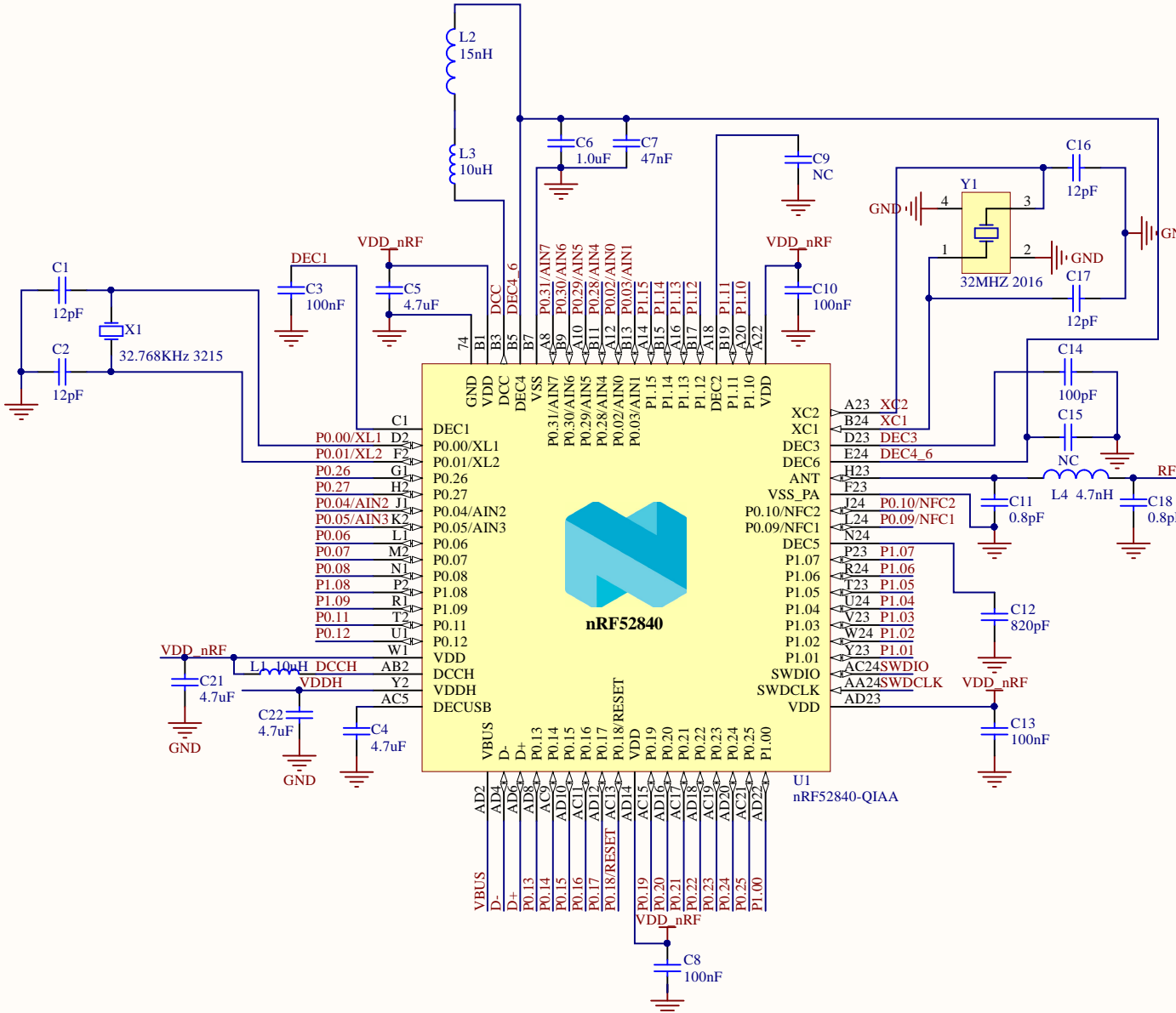
D

1

2

3

4



P0.03/AIN1	1	34	P0.25
P1.10	35	56	P1.07
P0.02/AIN0	2	33	P0.24
P1.11	36	55	P1.06
P0.28/AIN4	3	32	P0.23
P1.12	37	54	P1.05
P0.29/AIN5	4	31	P0.22
P1.13	38	53	P1.04
P0.30/AIN6	5	30	P0.21
GND	5	30	P1.03
P0.31/AIN7	6	29	P0.20
P1.14	40	51	P1.02
P0.07	7	28	P0.19
P1.15	41	50	P1.01
P0.05/AIN3	8	50	P0.18/RESET
VDDH	42	49	P1.00
VDD_nRF	9	26	P0.17
GND	43	26	D+
GND	10	48	P0.16
P1.08	44	25	D-
P0.27	11	47	P0.15
P1.09	45	24	P0.14
P0.26	12	46	VBUS
		23	P0.14

P0.04/AIN2	13
P0.06	14
P0.11	15
P0.08	16
P0.09/NFC1	17
P0.10/NFC2	18
SWDIO	19
SWDCLK	20
DIO	21
P0.13	22

MOKO		Drawing by	Nancy		
Product Name		MKBN08			
Schematic Name		MK08A_V1.0			
Revision	Ver1.0	Page	1/1	Date	20200827
Auditing by		Authorize by			