

A

B

C

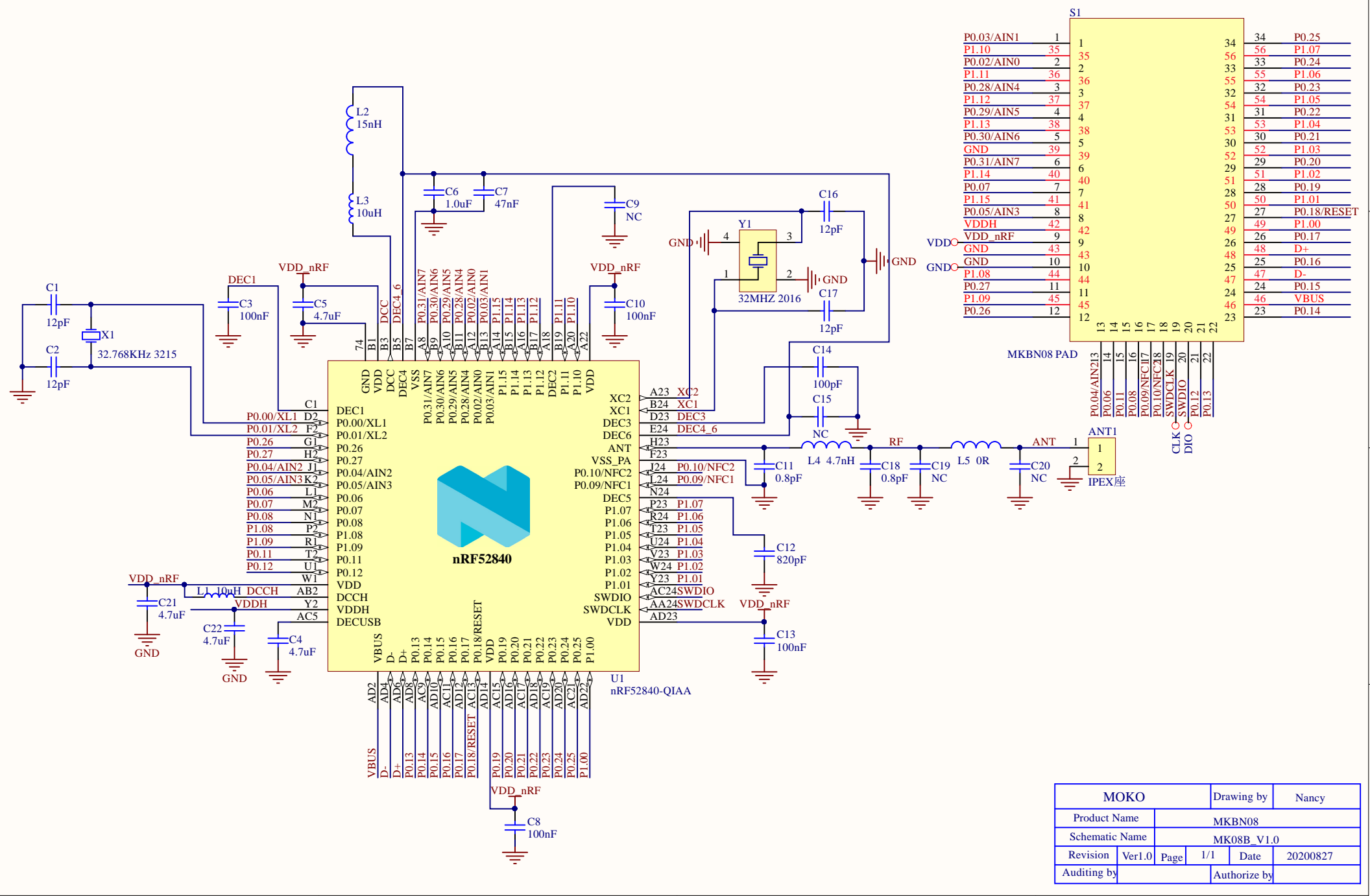
D

1

2

3

4



Pin	Signal	Pin	Signal
1	P0.03/AIN1	34	P0.25
2	P1.10	35	P1.07
3	P0.02/AIN0	36	P0.24
4	P1.11	37	P1.06
5	P0.28/AIN4	38	P0.23
6	P1.12	39	P1.05
7	P0.29/AIN5	40	P0.22
8	P1.13	41	P1.04
9	P0.30/AIN6	42	P0.21
10	GND	43	P1.03
11	P0.31/AIN7	44	P0.20
12	P1.14	45	P1.02
13	P0.07	46	P0.19
14	P1.15	47	P1.01
15	P0.05/AIN3	48	P0.18/RESET
16	VDDH	49	P1.00
17	GND_nRF	50	P0.17
18	GND	51	D+
19	GND	52	D-
20	P1.08	53	P0.16
21	P0.27	54	P1.15
22	P1.09	55	P0.15
23	P0.26	56	VBUS
24		57	P0.14

MOKO		Drawing by		Nancy	
Product Name		MKBN08			
Schematic Name		MK08B_V1.0			
Revision	Ver1.0	Page	1/1	Date	20200827
Auditing by		Authorize by			

1

2

3

4

A

B

C

D