


4G/GPS Tracker



The driver has been identified
 John Smith
 ID No. 00353


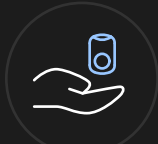
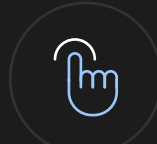
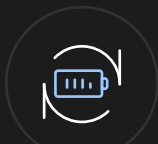
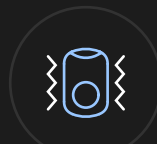
Fleet Safety, Driver Connection

H8 Identification Tag



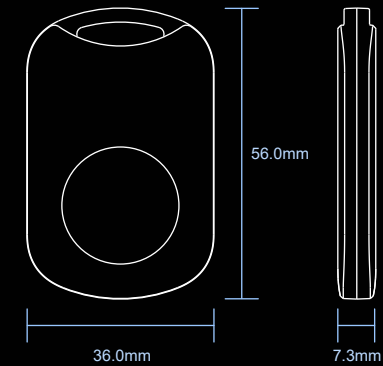
Introducing our state-of-the-art BLE Driver Identification Tag H8, designed meticulously to revolutionize driver identification and safety measures. This innovative device seamlessly combines cutting-edge technology with user-friendly features to offer an unparalleled experience in fleet management and staff security.

Features

 <p>Compact and portable</p>	 <p>Emergency button</p>
 <p>Replaceable battery</p>	 <p>Optional buzzer</p>

General specs

Connectivity:	BLE 5.0
Dimensions:	36.0*56.0*7.3 mm
Color:	White
LED:	Red
Material:	ABS
Waterproof:	IPX5
Sensor:	Accelerometer buzzer (optional)
Battery capacity:	220mAh replaceable battery
Battery lifespan:	1 year in default settings
Operating temperature:	-20 C to 60 C
Transmission range:	150m (in open area without obstacles)
Installation:	Lanyard
Certification:	FCC CE RoHS REACH



Application scenarios



Driver Identification



Driver Safety